

Product data sheet

Characteristics

XMLK200P2D23

Electronic pressure sensors, Pressure sensors XM, sensor XMLK, 0...200 PSI, 1/4NPT, 4...20 mA, M12, set of 1

Product availability: Stock - Normally stocked in distribution facility

Price*: 77.00 USD



Main

Range of product	OsiSense XM
Product or component type	Electronic pressure sensors
Pressure sensor type	Pressure transmitter
Pressure sensor name	XMLK
Electrical circuit type	Control circuit
Pressure sensor size	200 Psi (1378.95 kPa)
Local display	Without
Current consumption	< 20 mA
Type of output signal	Analogue
Quantity per set	Set of 1
Type of packing	Individual

Complementary

Pressure setting range	0...200 Psi (0.00...1378.95 kPa)
Maximum permissible accidental pressure	400 Psi (2757.90 kPa)
Destruction pressure	600 Psi (4136.85 kPa)
Materials in contact with fluid	Nitrile (NBR) Ceramic Stainless steel type AISI 303
Operating position	Any position
Protection type	Reverse polarity Load short-circuit
[Uimp] rated impulse withstand voltage	0.5 KV
Measurement accuracy	+/- 1 % of the measuring range
Accuracy	0.1 % of the measuring range
Drift of the sensitivity	+/- 0.04 % of measuring range/°K
Drift of the zero point	+/- 0.03 % of measuring range/°K
Repeat accuracy	+/- 1 % of the measuring range
Mechanical durability	10000000 Cycles
Net weight	0.24 Lb(US) (0.11 kg)

Diameter	1.42 In (36 mm)
Length	2.58 In (65.5 mm)
Scale type	Fixed differential

Environment

Standards	EN/IEC 61326-2-3 CE
Product certifications	UL 508 RCM CSA C22.2 No 14 EAC
Protective treatment	TC
Ambient air temperature for operation	32...176 °F (0...80 °C)
Ambient air temperature for storage	-13...176 °F (-25...80 °C)
NEMA degree of protection	NEMA 4

Ordering and shipping details

Category	21561 - XMLK,XMLP PRESSURE TRANSMITTERS
Discount Schedule	DS2
GTIN	3389119049047
Nbr. of units in pkg.	1
Package weight(Lbs)	4.44 Oz (126 g)
Returnability	Yes
Country of origin	CH

Packing Units

Unit Type of Package 1	PCE
Package 1 Height	1.65 In (4.2 cm)
Package 1 width	3.62 In (9.2 cm)
Package 1 Length	2.60 In (6.6 cm)
Unit Type of Package 2	S01
Number of Units in Package 2	24
Package 2 Weight	7.07 Lb(US) (3.205 kg)
Package 2 Height	5.91 In (15 cm)
Package 2 width	5.91 In (15 cm)
Package 2 Length	15.75 In (40 cm)

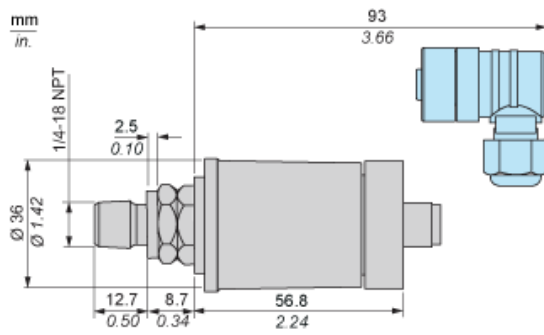
Offer Sustainability

California proposition 65	WARNING: This product can expose you to chemicals including: Diisononyl phthalate (DINP), which is known to the State of California to cause cancer, and Di-isodecyl phthalate (DIDP), which is known to the State of California to cause birth defects or other reproductive harm. For more information go to www.P65Warnings.ca.gov
REACH Regulation	REACH Declaration
EU RoHS Directive	Pro-active compliance (Product out of EU RoHS legal scope) EU RoHS Declaration
Mercury free	Yes
RoHS exemption information	Yes

Contractual warranty

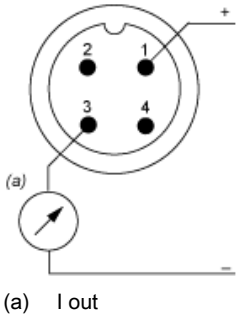
Warranty	18 months
----------	-----------

Dimensions

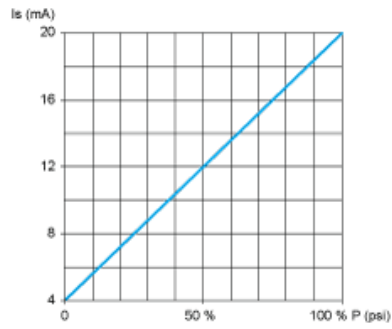


Wiring Diagram

2-Wire Technique (4-20 mA)



Output Curves



Product Life Status : **Commercialised**